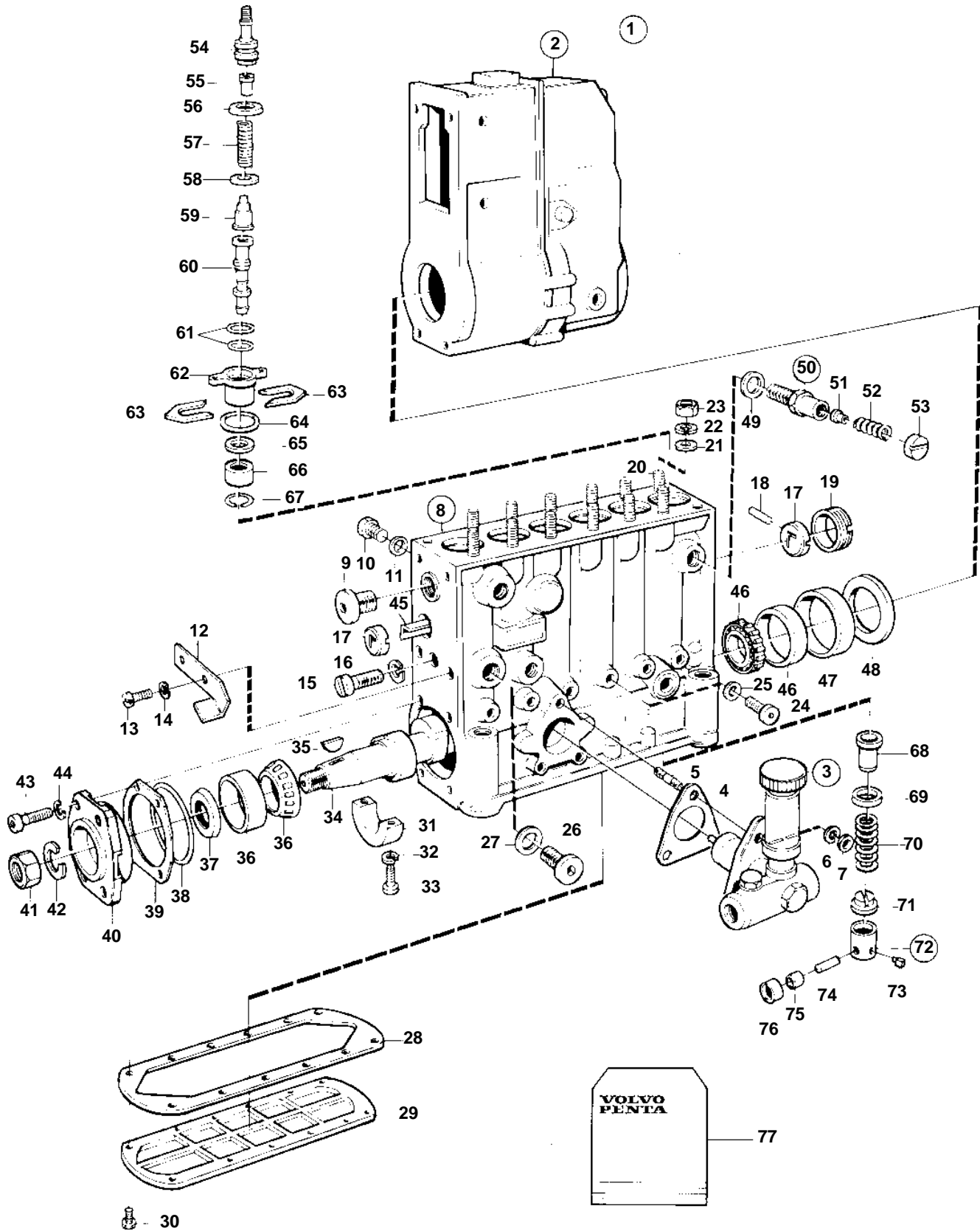


TMD102A



TMD102A

| REF | PART NO. | QTY | DESCRIPTION | SEE SEC. | NOTES |
|-----|----------|-----|----------------------|----------|------------------------------|
| 1 | 849194 | 1 | Injection pump | | |
| | 3803765 | 1 | Injection pump, exch | | Exchange unit |
| 2 | | 1 | • Governor | | |
| | | | | 2832 | |
| 3 | 244825 | 1 | • Feed pump | | |
| | | | | 600 | |
| 4 | 863370 | 1 | • Gasket | | Included in small parts kit. |
| 5 | | 3 | • Stud | | |
| 6 | 941906 | 3 | • Spring washer | | Included in small parts kit. |
| 7 | 940197 | 3 | • Nut | | |
| 8 | | 1 | • Housing | | |
| 9 | | 1 | • Plug | | |
| 10 | | 1 | • Lock screw | | |
| 11 | 239897 | 1 | • Gasket | | |
| 12 | | 1 | • Setting indicator | | |
| 13 | 956092 | 2 | • Screw | | |
| 14 | 941906 | 2 | • Spring washer | | |
| 15 | | 1 | • Screw | | |
| 16 | 947620 | 1 | • Gasket | | |
| 17 | | 2 | • Guide sleeve | | |
| 18 | | 1 | • Lock pin | | |
| 19 | | 1 | • Bushing | | |
| 20 | | 12 | • Stud | | |
| 21 | | 12 | • Washer | | |
| 22 | 941908 | 12 | • Spring washer | | |
| 23 | 943927 | 12 | • Nut | | |
| 24 | 180707 | 6 | • Plug | | |
| 25 | 18836 | 6 | • Gasket | | Included in small parts kit. |
| 26 | | 1 | • Plug | | |
| 27 | 240017 | 1 | • Gasket | | Included in small parts kit. |
| 28 | 1698192 | 1 | • Gasket | | |
| 29 | | 1 | • Cover | | |
| 30 | | 12 | • Screw | | |
| 31 | 244406 | 1 | • Bearing | SO | |
| 32 | 941906 | 2 | • Spring washer | | |
| 33 | | 2 | • Screw | | |
| 34 | | 1 | • Camshaft | | |
| 35 | 35168 | 1 | • Key | | Included in small parts kit. |
| 36 | 240023 | 1 | • Roller bearing | | |
| 37 | 864299 | 1 | • Sealing ring | | Included in small parts kit. |
| 38 | 243299 | 1 | • O-ring | | Included in small parts kit. |
| 39 | | X | • Shim | | TH = 0.10mm |
| | | X | • Shim | | TH = 0.12mm |
| | | X | • Shim | | TH = 0.14mm |
| | | X | • Shim | | TH = 0.16mm |
| | | X | • Shim | | TH = 0.18mm |
| | | X | • Shim | | TH = 0.30mm |
| | | X | • Shim | | TH = 0.50mm |
| 40 | 240021 | 1 | • Cover | SO | |
| 41 | 955806 | 1 | • Nut | | |
| 42 | 955927 | 1 | • Spring washer | | Included in small parts kit. |
| 43 | | 4 | • Screw | | |
| 44 | 941906 | 4 | • Spring washer | | Included in small parts kit. |
| 45 | | 1 | • Control rod | | |
| 46 | 240023 | 1 | • Roller bearing | | |
| 47 | | 1 | • Ring | | |
| 48 | | X | • Shim | | TH = 1.20mm |
| | | X | • Shim | | TH = 1.50mm |
| | | X | • Shim | | TH = 1.80mm |
| | | X | • Shim | | TH=2.00mm |
| 49 | 239897 | 1 | • Gasket | | Included in small parts kit. |
| 50 | 35096 | 1 | • Overflow valve | | |
| 51 | | 1 | • Peg | | |

TMD102A

| REF | PART NO. | QTY | DESCRIPTION | SEE SEC. | NOTES |
|-----|----------|-----|------------------------|----------|------------------------------|
| 52 | | 1 | • • Spring | | |
| 53 | | 1 | • • Bushing | | |
| 54 | 244636 | 6 | • Delivery valve retai | | |
| 55 | 240971 | 6 | • Plug | | |
| 56 | 240001 | 6 | • Gasket | | Included in small parts kit. |
| 57 | 240969 | 6 | • Spring | | |
| 58 | 239993 | 6 | • Gasket | | |
| 59 | 846188 | 6 | • Delivery valve | | |
| 60 | 244730 | 6 | • Pump element | | |
| 61 | 240422 | 12 | • O-ring | | Included in small parts kit. |
| 62 | | 6 | • Sleeve | | |
| 63 | | X | • Shim | | TH = 0.40mm |
| | | X | • Shim | | TH = 0.50mm |
| | | X | • Shim | | TH = 0.70mm |
| | | X | • Shim | | TH = 0.75mm |
| | | X | • Shim | | TH = 0.80mm |
| | | X | • Shim | | TH = 0.95mm |
| | | X | • Shim | | TH = 1.00mm |
| | | X | • Shim | | TH = 1.05mm |
| | | X | • Shim | | TH = 1.10mm |
| | | X | • Shim | | TH = 1.15mm |
| | | X | • Shim | | TH = 1.25mm |
| | | X | • Shim | | TH = 1.30mm |
| | | X | • Shim | | TH = 1.40mm |
| | | X | • Shim | | TH = 1.50mm |
| | | X | • Shim | | TH = 1.55mm |
| | | X | • Shim | | TH = 1.60mm |
| | | X | • Shim | | TH = 1.65mm |
| | | X | • Shim | | TH = 1.70mm |
| | | X | • Shim | | TH = 1.75mm |
| | | X | • Shim | | TH = 1.80mm |
| | | X | • Shim | | TH = 1.90mm |
| | | X | • Shim | | TH=2.00mm |
| | | X | • Shim | | TH=2.10mm |
| | | X | • Shim | | TH=2.15mm |
| | | X | • Shim | | TH=2.20mm |
| 64 | | 6 | • O-ring | | Included in small parts kit. |
| 65 | | 6 | • Washer | | |
| 66 | | 6 | • Cover | | |
| 67 | 239990 | 6 | • Lock ring | | Included in small parts kit. |
| 68 | 240782 | 6 | • Control sleeve | | |
| 69 | 239984 | 6 | • Spring disc | | |
| 70 | 244731 | 6 | • Spring | | |
| 71 | 244685 | 6 | • Spring disc | | |
| 72 | | 6 | • Push rod | | |
| 73 | | 6 | • • Plate | | |
| 74 | | 6 | • • Bolt | | |
| 75 | | 6 | • • Bushing | | |
| 76 | | 6 | • • Bearing | | |
| 70 | 845240 | 1 | Small parts kit | | |